

Product

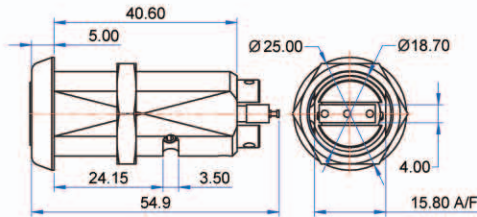


Typical Uses

- Gaming Equipment
- Alarm Systems
- Automatic Doors
- Boom Gates
- Elevators
- Electric Vehicles
- Flood Lighting
- Security Lighting
- Computer Equipment
- Safety Switches
- Escalators

New Generation BiLock offers a complete line of integrated and modular high security switch locks designed to adapt to a wide range of switching, voltage and current requirements. Combining New Generation BiLock security with a commercial micro switch provides a wide variety of electric switching operations for individual needs. Special purpose switching applications can also be supplied to order in consultation with the factory.

"NOT AVAILABLE IN QUICK CHANGE CORE"

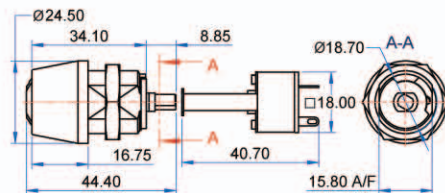


FA8210 - First Generation - VF
Integrated Key Switchlock - 12 Pin
On/Off Single Pole Spring Return

FA8220 - First Generation - VF
Integrated Key Switchlock - 12 Pin
On/Off 2 Position Key Withdrawal

FA8240 - First Generation - VF
Integrated Key Switchlock - 12 Pin
On/Off 1 Position Key Withdrawal
Switch Details: 4amp@28vdc:7amp@250vac

CP



FA82259 - First Generation - VF
FA82259Q - First Generation Quick Change Core - VF
FA83259 - New Generation - VF
FA83259Q - New Generation Quick Change Core - VF

Modular Key Switchlock - 12 Pin
On/Off 90 Degrees Rotation

Respectively as above

FA82259D - On/Off 2 Position Key Withdrawal - VF

FA82351 - On/Off/On 1 Pole 180 Deg Rotation - VF

FA82552 - On/Off/On 2 Pole 120 Deg - VF

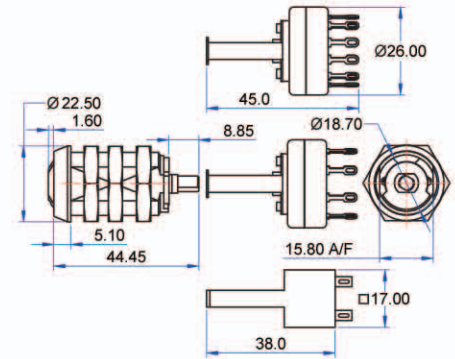
Switch Detail

90 degrees rotation 2amp@250vac:10amp@12vdc

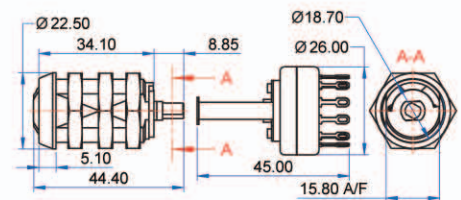
180 degrees rotation 0.4va maximum@20vac or vdc

120 degrees rotation 0.4va maximum@20vac or vdc

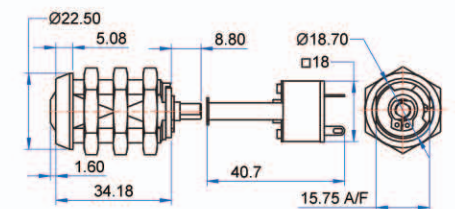
CP



FA83391Q (Shown)



FA83952Q (Shown)



FA82299 - First Generation - VF
FA82299Q - First Generation Quick Change Core - VF
FA83299 - New Generation - VF
FA83299Q - New Generation Quick Change Core - VF

Modular Key Switchlock - 12 Pin

On/Off 90 Degrees Rotation - 1 Pole

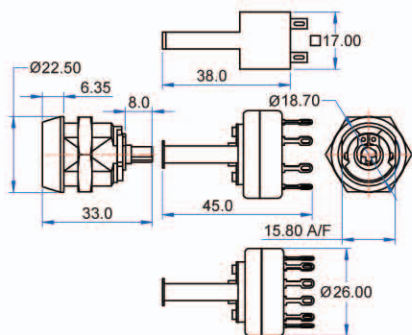
Respectively as above

FA82299D - On/Off 1 Pole, 90 Deg 2 Position Key W/D - VF

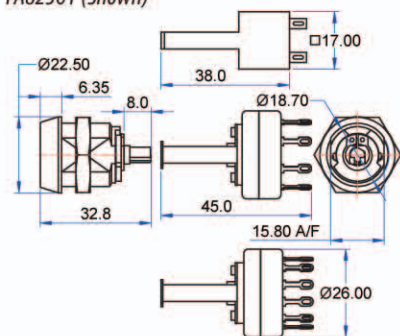
FA83391Q - On/Off/On 1 Pole 180 Deg Key W/D Off

FA83592Q - On/Off/On 2 Pole 120 Degree rotation

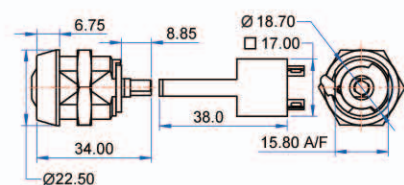
CP



FA82361 (Shown)



FA82562 (Shown)



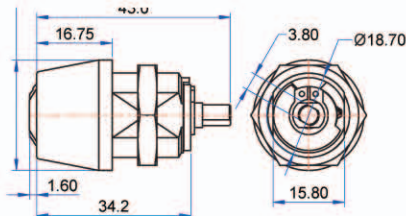
- FA82269 - First Generation - VF
- FA82269Q - First Generation Quick Change Core - VF
- FA83269 - New Generation - N/A - VF
- FA83269Q - New Generation Quick Change Core - VF

Modular Key Switchlock - 8 Pin
On/Off 1 Pole, 90 Degrees Rotation

Respectively as above
FA82361 - On/Off/On 1 Pole, 3 Pos Key W/D 180 Deg - VF
FA82562 - On/Off/On 2 Pole 3 Pos Key W/D Off 120 Deg - VF

Switch Detail

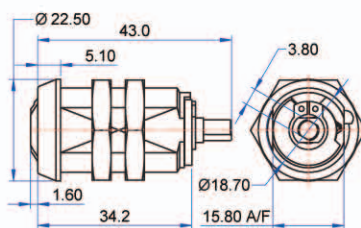
90 degrees rotation	2amp@250vac:10amp@12vdc
180 degrees rotation	0.4va maximum@20vac or vdc
120 degrees rotation	0.4va maximum@20vac or vdc



- FA82059 - First Generation - VF
- FA82059Q - First Generation Quick Change Core - VF
- FA83059 - New Generation - VF
- FA83059Q - New Generation Quick Change Core - VF

Modular Switchlock - 12 Pin
Without Switch
90 Deg Key W/D in Off Position

Respectively as above
FA82059D - 90 Deg Key W/D in Both Positions
FA82051 - 180 Deg Key W/D in Centre Position



- FA82099 - First Generation - VF
- FA82099Q - First Generation Quick Change Core - VF
- FA83099 - New Generation - VF
- FA83099Q - New Generation Quick Change Core - VF

Modular Switchlock - 12 Pin
Without Switch
90 Deg Key W/D in Off Position

Respectively as above
FA82099D - 90 Deg Key W/D in Both Positions - VF
FA82091 - 180 Deg Key W/D in Centre Position - VF



Please note, not all product is available (at time of publication) in New Generation. Please check with your nearest Bilock agent or Australian Lock Company.



Australian War Memorial - Canberra



Taxation Office - Sydney



Colonial Stadium - Melbourne



Star City - Sydney



Exhibition Centre - Melbourne