

Door Closers



Alcom
door closers

AustralianLock
COMPANY

ALCOM Door Closers

The Alcom range of door closers has been designed specifically to suit a variety of residential and commercial applications to ensure smooth closure of interior and exterior doors after manual opening. The hydraulically operated rack and pinion mechanism ensures full control throughout the opening and closing cycle to provide protection from violent door swings without impeding normal traffic flow.

Built for strength, minimal wear and flexibility, ALCOM Door Closers' inbuilt features offer separate regulating for door speed, latching, backcheck and optional delayed action which can be easily adjusted to suit a range of requirements and installations.

Choosing an ALCOM Door Closer

To maximise efficiency, always consider each individual requirement when choosing an ALCOM Door Closer. Consider:

- strength. Does the door closer have the strength to effectively close the door against unexpected air pressure?

Strength is affected by the style, size and weight of door, which in turn affect the efficiency of a door closer. Each ALCOM Door Closer recommends specific door widths for normal operating conditions and it is important to select the correct size of door closer to maximise efficiency. Where doors are higher, heavier, of special construction or with air pressure differentials, consider using a higher power closer.

- type of frame. The door must be clear of the door frame. If a lock is fitted, the latch bolt must engage freely with the strike.
- fittings. Doors fitted with an ALCOM Door Closer are recommended to be fitted with three or more ball bearing or sintered bearing hinges to allow for increased loading on door hinges and wear and tear. Floor or wallmounted doorstops should be fitted to prevent damage to the door frame and hardware.
- control features and aesthetic required.

1003BC SERIES DOOR CLOSERS

The 1000 series door closer is a fixed strength hydraulic door closer. Applications include regular arm, parallel arm, top jamb, slide arm and adjustable backcheck function.

- 1003BC Standard Door Closer Silver APDC1003BCSIL
- 1003BCHO Hold Open Door Closer Silver APDC1003BCHOSIL



Door Closer Selection Chart (maximum door width dimension in mm)

Size	Regular Arm/Jamb			Parallel Arm/Slide Arm			Door Weight Kg.
	Interior Door	Exterior Door Swing Out	Exterior Door Sing In	Interior Door	Exterior Door Swing Out	Exterior Door Sing In	
3	1050	900	800	900	800	700	40-60



Door Closer with Slide Arm & Hold Open Feature
1003BCSA Slide Arm Door Closer Silver [APDC1003SASIL](#)



Parallel Arm Bracket Silver
1000-3 Parallel Arm Bracket Silver [APDC1000PA-3SIL](#)



Hold Open Arm
1000-1 Hold Open Arm Silver [APDC1000HO-1SIL](#)



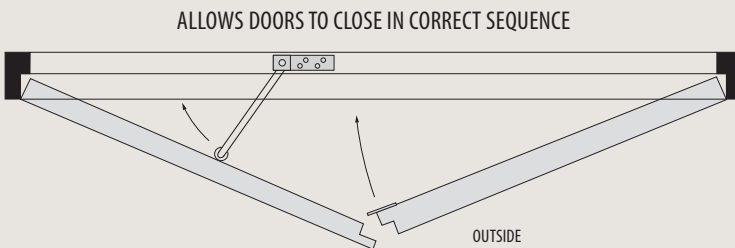
Drop Plate Silver
1000-4 Drop Plate Silver [APDC1000DP-4SIL](#)



2000 Door Selector
2000 Door Selector [APDC2000SSS](#)



Slide Arm Silver & Hold Open Feature
1000-2 Slide Arm Silver & Hold Open Feature [APDC1000SA-2SIL](#)



1500 SERIES DOOR CLOSERS

1500 Series door closers are a power adjustable surface mounted hydraulic door closer. Applications include regular arm, parallel arm, top jamb, slide arm, delayed action and adjustable backcheck function.

- 1500 Door Closer Silver APDC1500BCSIL
- 1500HO Door Closer Hold Open Silver APDC1500BCHOSIL
- 1500DA Door Closer Delayed Action Silver APDC1500DASIL



Door Closer Selection Chart (maximum door width dimension in mm)

Size	Regular Arm/Jamb			Parallel Arm/Slide Arm			Door Weight Kg.
	Interior Door	Exterior Door Swing Out	Exterior Door Sing In	Interior Door	Exterior Door Swing Out	Exterior Door Sing In	
2	900	800	700	800	700	600	25-45
3	1050	900	800	900	800	700	40-60
4	1200	1050	900	1050	900	800	55-75
5	1350	1200	1050	1200	1050	900	70-90

1500 SERIES DOOR CLOSERS

(Continued)



Door Closer with Slide Arm

1500SADA Door Closer with Slide Arm Hold [APDC1500SASIL](#)
1500SADA Door Closer Delayed Action with Slide Arm [APDC1500SADASIL](#)



Slide Arm Silver & Hold Open Feature

1500-2 Slide Arm Silver [APDC1500SA-2SIL](#)



Drop Plate Silver

1500-4 Drop Plate Silver [APDC1500DP-4SIL](#)



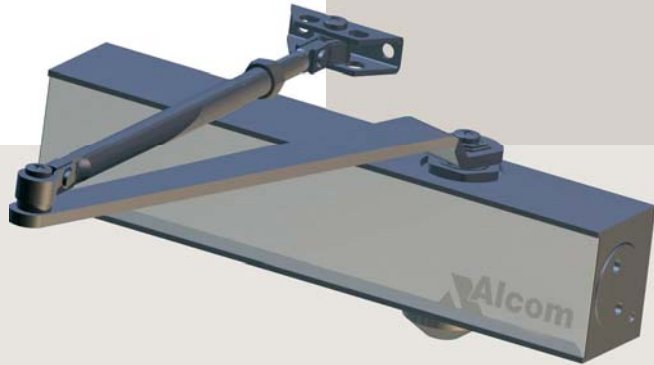
Hold Open Arm Silver

1500-1 Hold Open Arm [APDC1500HO-1SIL](#)

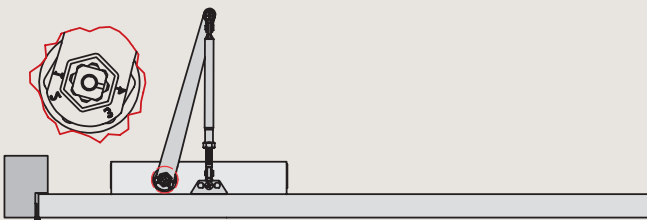


Door Closer Cover Plate SSS

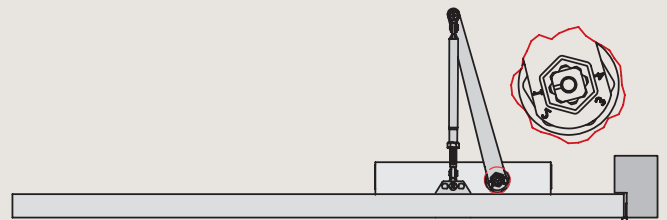
1500-5 Door Closer Cover Plate SSS [APDC1500CP-5SSS](#)



Door Closer Applications Installation Details



LEFT HAND DOOR



RIGHT HAND DOOR

STANDARD INSTALLATION

For a RIGHT HAND DOOR POSITION MAIN ARM ON INDEX MARK 4

For a LEFT HAND DOOR POSITION MAIN ARM ON INDEX MARK 1

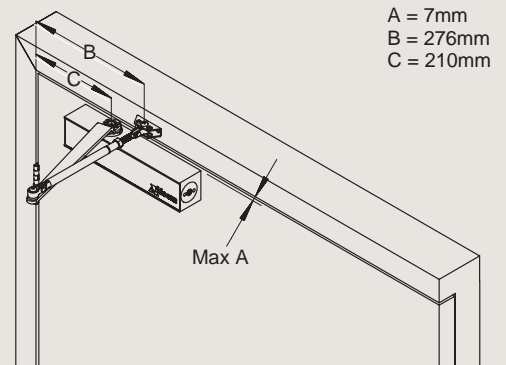
Secure main arm with screw and lockwasher, adjust length of forearm to 90° with door.
Fit screw and washer and tighten locknut.

TOP JAM INSTALLATION

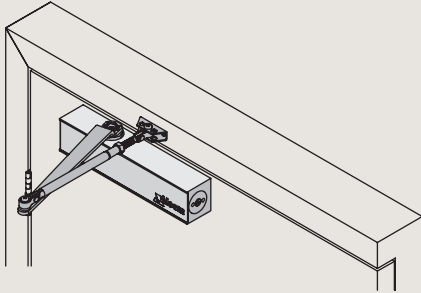
For a RIGHT HAND DOOR POSITION MAIN ARM ON INDEX MARK 4

For a LEFT HAND DOOR POSITION MAIN ARM ON INDEX MARK 1

Secure main arm with screw and lockwasher, adjust length of forearm to 90° with door.
Fit screw and washer and tighten locknut.

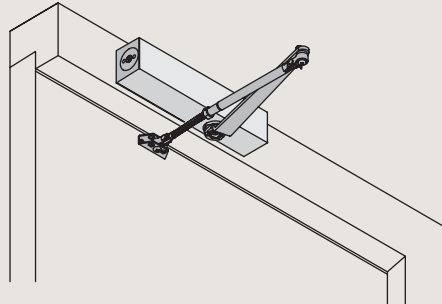


1 on pull side



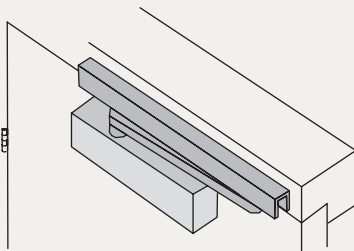
Standard Installation

2 on push side



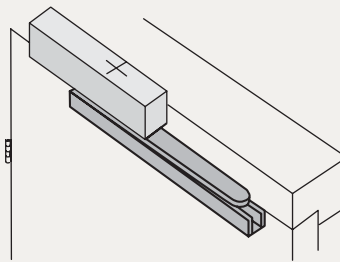
Top Jamb Installation

3 on pull side



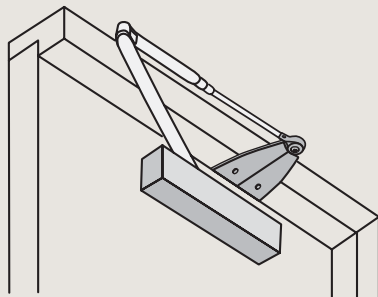
Slide Arm Installation
& Jamb Mounted Slide Arm

4 on pull side



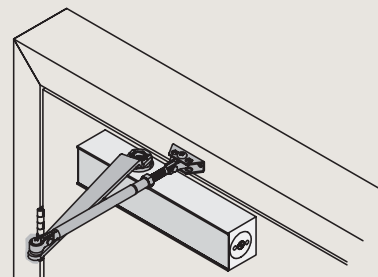
Slide Arm Installation
& Door Mounted Slide Arm

5 on push side



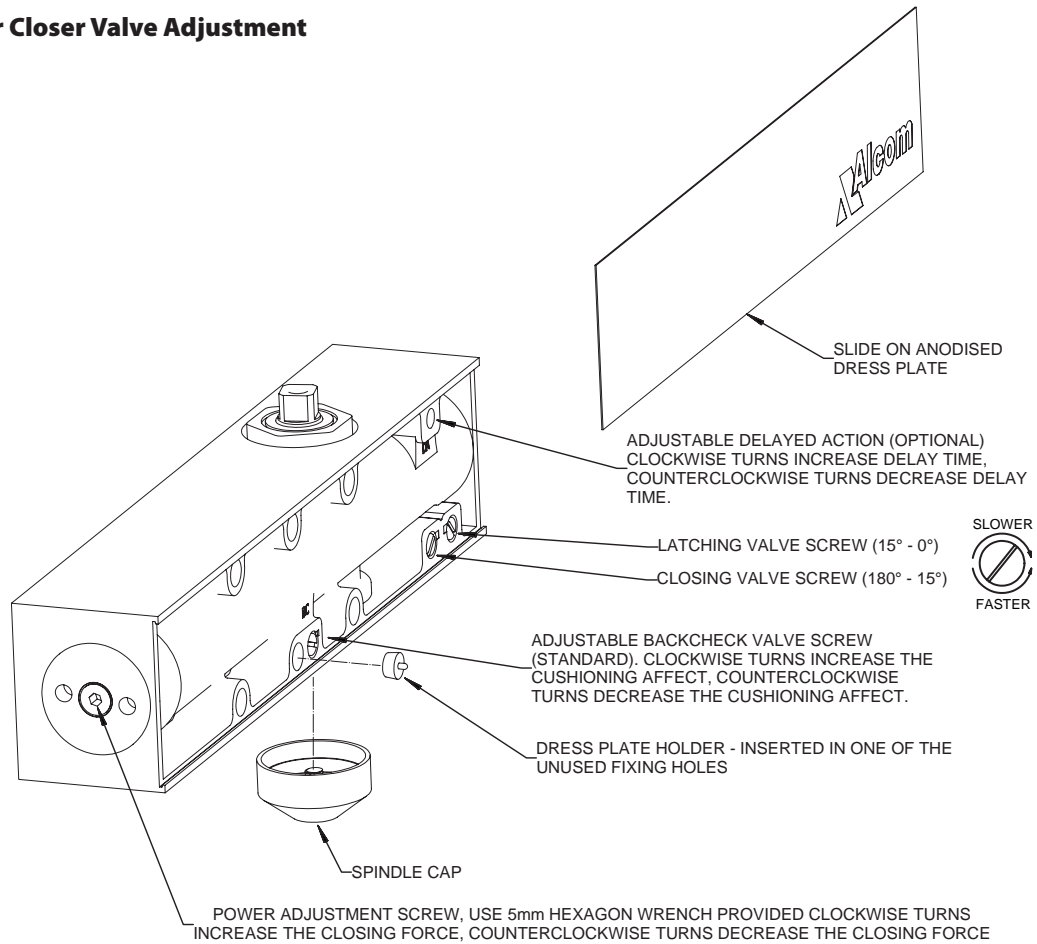
Parallel Arm Installation

6 on pull side

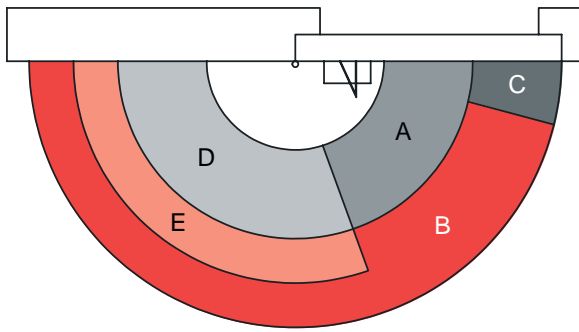
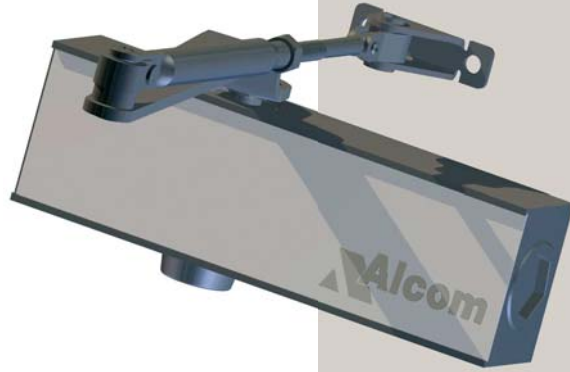







Hold Open Installation

Door Closer Valve Adjustment



Door Closer Adjustment Details



-  A - REGULAR CLOSING
-  B - CLOSING RANGE 180° - 15°
-  C - LATCHING RANGE 15° - 0°
-  D - BACKCHECK RANGE 70° - 180°
-  E - OPTIONAL DELAYED ACTION - 180° - 70°



Contact **Australian Lock Company Pty Ltd**

17 Doyle Avenue
Unanderra NSW 2526 Australia
PO Box 479 Unanderra NSW 2526 Australia

Telephone: **61 (0)2 4272 4922**

Facsimile: **61 (0)2 4272 4677**

Email: **sales@bilock.net**

Web: **www.alcom5000.com**
www.bilock.net

Whilst the Australian Lock Company Pty Ltd has taken every effort to ensure that the information in this catalogue is accurate at the time of publication, we recommend that you consult your Sales Representative to ascertain information in specific products and specifications prior to placing your order. Please note that we reserve the right to make changes without notice. The Australian Lock Company Pty Ltd will not be liable for any damage or loss arising from any errors or omissions in the information contained in this catalogue or arising from the use of the information contained herein.